


Sundance® Spas 680 Edison®

Specifications

| | | |
|---|--|---|
| Dimensions: | 84" x 84" x 36" (213.5 cm x 213.5 cm x 91.44 cm) |  |
| Perimeter | 336" (853.4 cm) | |
| Seating Capacity: | 6 Adults | |
| Dry Weight: | 737 lbs (334 kg) | |
| Filled Weight (Spa Volume): | 4,490 lbs (2,037 kg) | |
| Filled Weight (Average Fill): | 3,614 lbs (1,639 kg) | |
| Water Capacity (Spa Volume): | 450 US Gal (1,703 Liters) | |
| Water Capacity (Average Fill): | 345 US Gal (1,306 Liters) | |
| Controls: | Solid-State Electronic Controls with LCD Readout, Programmable Water Temperature, Filtration, and Heat Cycles | |
| Water Delivery: | 2 High-Flow Pump | |
| Pump 1: | North America (60 Hz): 2-Speed/2.5 HP Continuous, 11.0A Max., 56 Frame Export (50 Hz): 2-Speed/2.0 HP continuous, 8.0A max. | |
| Pump 2: | North America (60 Hz): 1-Speed/2.5 HP Continuous, 10A max., 56 Frame Export (50 Hz): 1-Speed/2.0 HP continuous, 8.0A max. | |
| Total Hydrojets: | 36 | |
| Seat A Jets: | 2 - SLR, 8 - SL, 1- SL3 | |
| Seat B Jet: | 1 - SL3R | |
| Seat C Jets: | 2 - SLR, 6 - SL3 | |
| Seat D Jet: | 2 - SL3R | |
| Seat E Jets: | 3 - SL3, 1- SL5R | |
| Seat F Jet: | 2 - SLR, 4 - SL3R | |
| Foot Well Jets (G): | 4 - SLR. | |
| Air Controls/Massage Selectors: | 2/None | |
| Filter: | 75 ft ² MicroClean® Mini™ Filter Cartridge System | |
| Water Treatment: | Factory installed CLEARRAY® unit | |
| Lighting: | LED Lighting System (Interior Surround); 2 Standard Exterior Lights | |
| Cabinet: | Available in Slate, Graphite | |
| Shell Colors: | North America: Platinum, Celestite, Monaco, Midnight, Porcelain Export (50 Hz): All North America colors | |
| Headrest: | Four, 1-piece gray | |
| Heater: | North America (60 Hz): 5.5 kW 240V High Flow Standard Export (50 Hz): 2.7 kW High Flow Standard | |
| Electrical Requirements: | North America (60 Hz): 240 VAC@40A, 50A or 60A Export (50 Hz): 230-240 VAC@1x16A, 1x32A or 2 out of 3-phase (see manual); or Suitably Rated Circuit Breaker to Comply with Local Electrical Regulations. Certain Countries May Require 2 Power Inputs; Two GFCI/ RCD Breakers are Required for This Configuration. | |
| Limited Warranty*: | North America (60 Hz): 5 Years Shell, 3 Years Shell Surface, 3 Years Plumbing Component Leaks, 3 Years Equipment and Controls, 1 Year Cabinet, 1 Year Jets Export (50 Hz): 5 Years Shell, 3 Years Shell Surface, 3 Years Plumbing Component Leaks, 3 Years Equipment and Controls, 1 Year Cabinet, 1 Year Jets | |
| Alternative Insulation (Standard): | Yes (Insulation Panels) | |
| Waterfall Feature: | None | |
| Audio System (Optional): | N/A | |
| Speial Features (Optional): | Factory Installed SmartTub® module | |

*(See Warranty Document for Specific Details)

Dimensions/Specifications Subject To Change Without Notice

Sundance Spas 680 Edison

Operation/Seat Depths



(A) Air control - Activates Seat A Jets (2 - SLR, 8 - SL, 1 - SL3) Seat B Jets (1 - SL3R) + Seat C Jets (2 - SLR, 6 - SL3) + Footwell Jets (2 - SLR)

(B) Air Control - Activates Seat D Jets (2 - SL3R) + Seat E Jets (2 - SL3, 1 - SL5R) + Seat F Jets (2 - SLR, 4 - SL3R) + Footwell Jets (2 - SLR)

- Jets Pump 1: Powers Seat D Jets + Seat E Jets + Seat F + Footwell Jets (qty 2) when running

- Jets Pump 2: Seat A Jets + Seat B Jets + Seat C Jets + Footwell Jets (qty 2) when running

36 Total Jets



SL Jets (8)



SLR Jets (10)



SL3 Jets (10)



SL3R Jets (7)



SL5R Jet (1)

Spa Operation Subject To Change Without Notice

SEAT DEPTHS

A = 23.50" (59.69 cm)

B = 20.75" (52.71 cm)

C = 25.00" (63.50 cm)

D = 22.00" (55.88 cm)

E = 25.50" (64.77 cm)

F = 23.75" (60.33 cm)

G = 21.75" (54.25 cm)

H = 30.00" (76.20 cm)

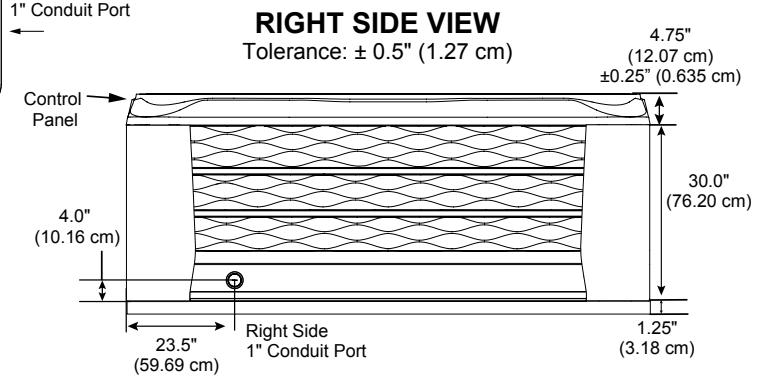
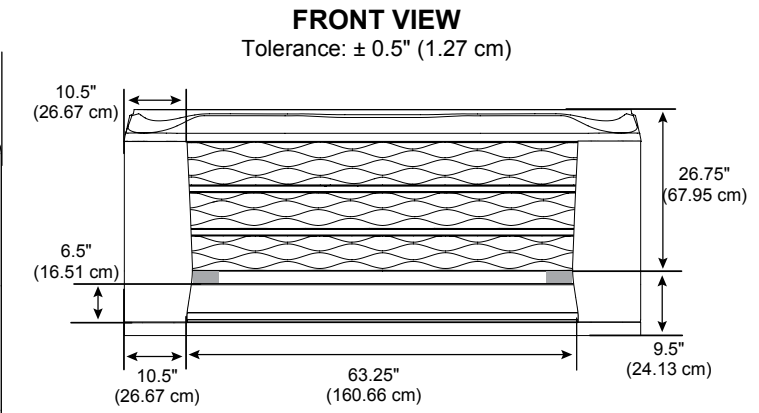
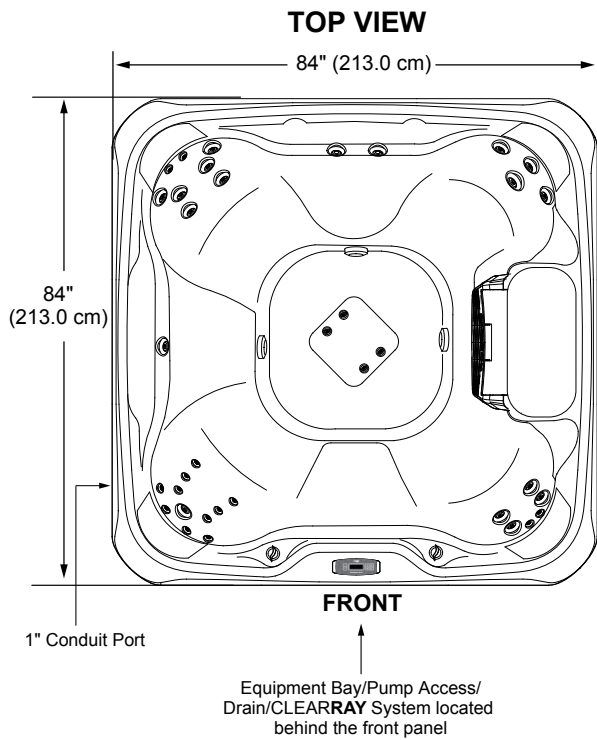
Listed dimensions represent distance from top of acrylic to lowest point in seat. **Tolerance ± 0.5" (1.27 cm).**



Dimensions/Specifications Subject To Change Without Notice

Sundance Spas 680 Edison

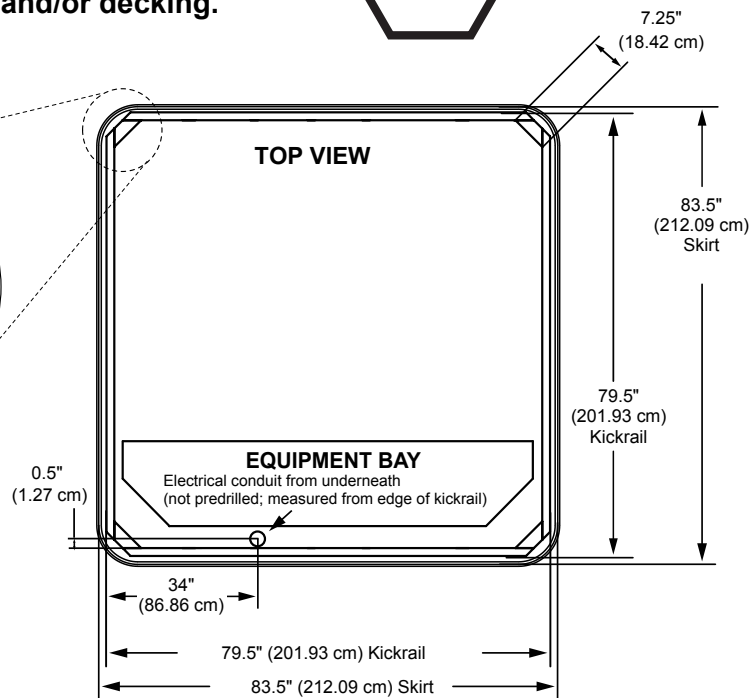
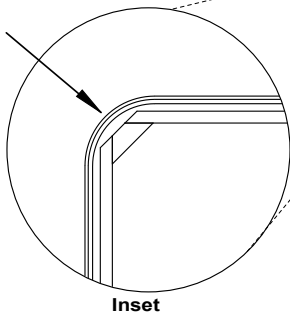
Portable Dimensions



IMPORTANT! Always measure each hot tub for exact dimensions **BEFORE** designing its foundational support and/or decking.



4 x ≈ R 10.0"
(≈ R25.4 cm) Skirt



Dimensions/specifications subject to change without notice. Tolerance: ± 0.5" (1.27 cm)

Dimensions/Specifications Subject To Change Without Notice