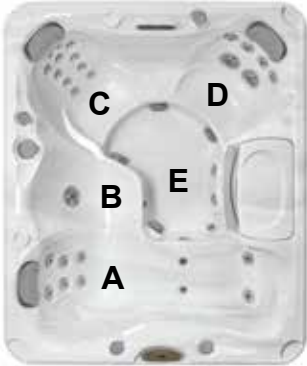


Sundance Spas 780 Montclair™

Specifications

Dimensions:	75" x 91" x 33.5" (191 cm x 231 cm x 85.09 cm)	
Seating Capacity:	4-5 Adults	
Dry Weight:	790 lbs (358 kg)	
Filled Weight (Spa Volume):	4,251 lbs (1,928 kg)	
Filled Weight (Average Fill):	3,375 lbs (1,531 kg)	
Water Capacity (Spa Volume):	415 US Gal (1,571 Liters)	
Water Capacity (Average Fill):	310 US Gal (1,173 Liters)	
Controls:	780 Series Solid-State Electronic Controls with LED Readout, Programmable Temperature, Filtration, and Heat Cycles	
Water Delivery:	2 High Flow Pump	
Pump 1:	North America (60 Hz): 1-Speed/2.5 HP Continuous, 12A Max., 56 Frame Export (50 Hz): 1-Speed/2.0 HP continuous, 8.0A Max.	
Pump 2:	North America (60 Hz): 1-Speed/2.5 HP Continuous, 11A Max., 56 Frame Export (50 Hz): 1-Speed/2.0 HP Continuous, 7.0A Max.	
Pump 3:	8-Hour Filter/Circulation Pump; High Output Flow	
Total Hydrojets:	30	
Seat A Jets:	6 SMT Fluidix, 2 Adjustable Accu-Pressure, 2 Mini Vortex	
Seat B Jets:	1 Vortex	
Seat C Jets:	2 SMT Micro, 9 Accu-Pressure	
Seat D Jets:	4 Mini Vortex, 2 Vortex	
Footwell Jets (E):	2 Mini Vortex	
Air Controls/Massage Selectors:	3/1 Standard air control with LED lights	
Filter:	MicroClean® I Filtration System with Floating Weir, 125 ft² combined filtration, (1 pleated and 1 spun-bound cartridge)	
Water Treatment:	8-Hour Circulation Pump; Factory installed CLEARARRAY® Water Purification System	
Lighting:	Standard Multi-Colored SunRay LED Light; 6 LED Pin Lights; Indicator light; Air controls	
Synthetic Cabinet:	Available in Coastal, Mahogany, Autumn Walnut	
Shell Colors:	North America: Platinum, Celestite (Gypsum), Sahara, Oyster (Opal), Copper Sand, Monaco, Midnight, Caribbean Surf, Sandstone, Porcelain Export (50 Hz): All North America Colors	
Handrails:	N/A	
Headrests:	Three, 1-Piece Gray	
Heater:	North America Model (60 Hz): High Flow 5.5 kW@240 VAC; Export (50 Hz): High Flow, 2.7 kW	
Electrical Requirements:	North America Model (60 Hz): 240 VAC@40A, 50A or 60A Export (50 Hz): 230-240 VAC@1x20A, 1x16A/1x20A, or 3x16A (see manual for more configurations); or Suitably Rated Circuit Breaker to Comply with Local Electrical Regulations. Certain Countries May Require Dual Power Inputs; Two GFCI/RCD Breakers are Required for This Configuration.	
Limited Warranty*:	North America (60 Hz): 10 Years Shell, 7 Years Shell Surface, 5 Years Plumbing Component Leaks, 5 Years Equipment and Controls, 5 Years Cabinet, 2 Years Jets, 2 Years Lights, 1 Year Stereo Export (50 Hz): 10 Years Shell, 7 Years Shell Surface, 5 Years Plumbing Component Leaks, 5 Years Equipment and Controls, 5 Years Cabinet, 2 Years Jets, 2 Years Lights, 2 Years Stereo	
Waterfall Feature:	On/Off Flow Rate on when circulation pump is running; Colored Lighting	
Audio System (Optional):	Factory Installed BLUEWAVE® Spa Stereo System with Wireless Remote Control, Auxiliary 3.5 mm headphone jack connection and Bluetooth® compatible	
Special Features (Optional):	Factory Installed SmartTub™ module	

*(See Warranty Document for Specific Details)

Dimensions/Specifications Subject To Change Without Notice

Sundance Spas 780 Montclair

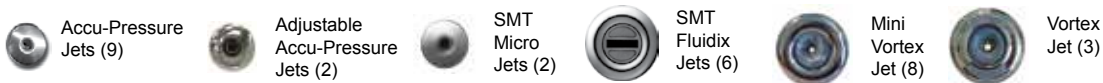
Operation/Seat Depths



- (A) Air Control - Activates Seat A Jets (6 SMT Fluidix, 2 Adjustable Accu-Pressure, 2 Mini Vortex)
- (B) Massage Selector [Pump 1]- Adjusts Massage Level Between Seat A Jets and Seat C Jets
- (C) Air Control - Activates Seat C Jets (2 SMT Micro, 9 Accu-Pressure)
- (D) Air Control - Activates Seat B Jets (1 Vortex) + Seat D Jets (4 Mini Vortex, 2 Vortex) + Footwell Jets (2 Mini Vortex)
- (E) Waterfall Selector [8-Hour Circ. Pump] - Controls Waterfall Output

• Jets Pump 2: Seat B Jets + Seat D Jets + Footwell Jets are always on when the jets pump is running

30 Total Jets (Stainless Steel Escutcheons Standard)



Spa Operation Subject To Change Without Notice

SEAT DEPTHS

- A = 24.63" (62.55 cm)
- B = 24.63" (62.55 cm)
- C = 27.75" (70.49 cm)
- D = 22.75" (57.79 cm)
- E = 25.75" (65.41 cm)
- F = 30.38" (77.15 cm)

Listed dimensions represent distance from top of acrylic to lowest point in seat. **Tolerance ± 0.5" (1.27 cm).**

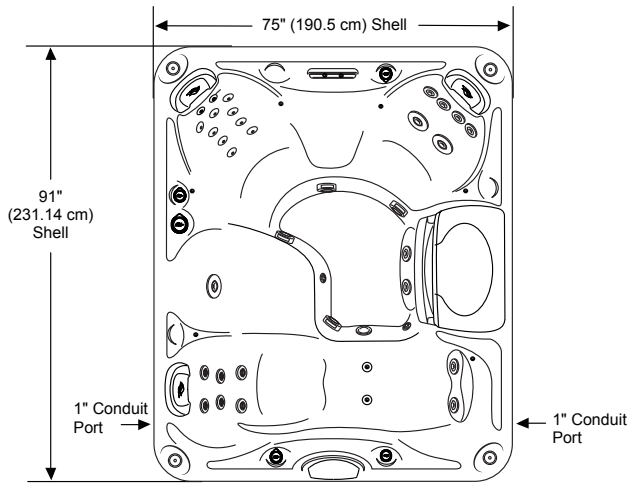


Dimensions/Specifications Subject To Change Without Notice

Sundance Spas 780 Montclair

Portable Dimensions

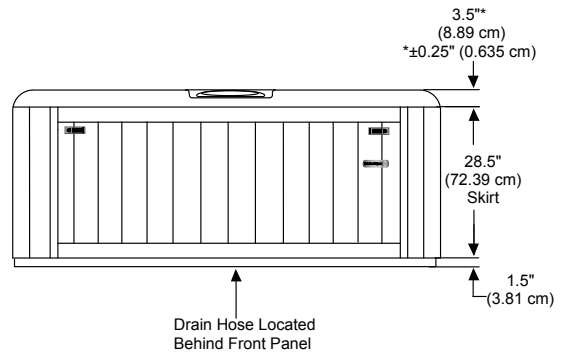
TOP VIEW



FRONT
Equipment Bay/Pump Access
behind skirt panels (CLEARRAY, Optional BLUEWAVE,
and Optional SmartTub Module behind skirt panels)

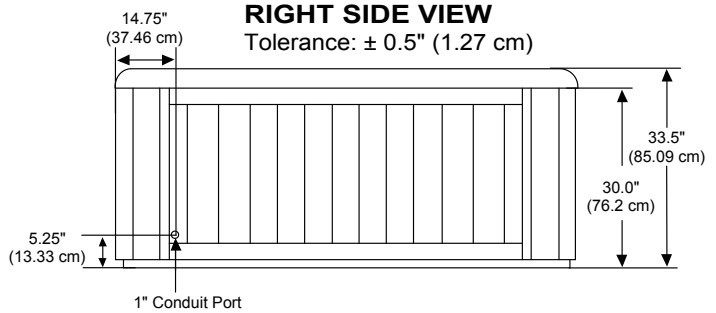
FRONT/BACK VIEW

Tolerance: $\pm 0.5"$ (1.27 cm)

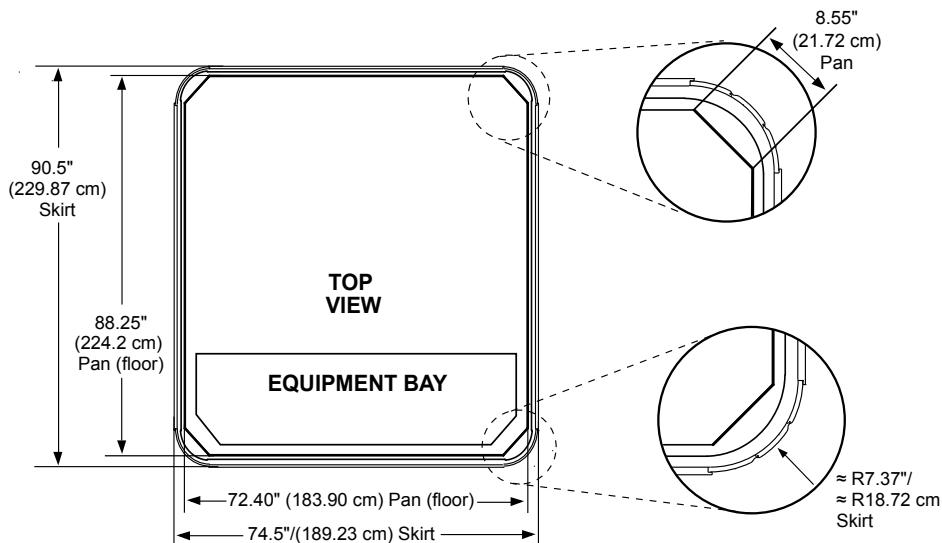


RIGHT SIDE VIEW

Tolerance: $\pm 0.5"$ (1.27 cm)



IMPORTANT! Always measure each hot tub for exact dimensions BEFORE designing its foundational support and/or decking.



Dimensions/specifications subject to change without notice. Tolerance: $\pm 0.5"$ (1.27 cm)

Dimensions/Specifications Subject To Change Without Notice